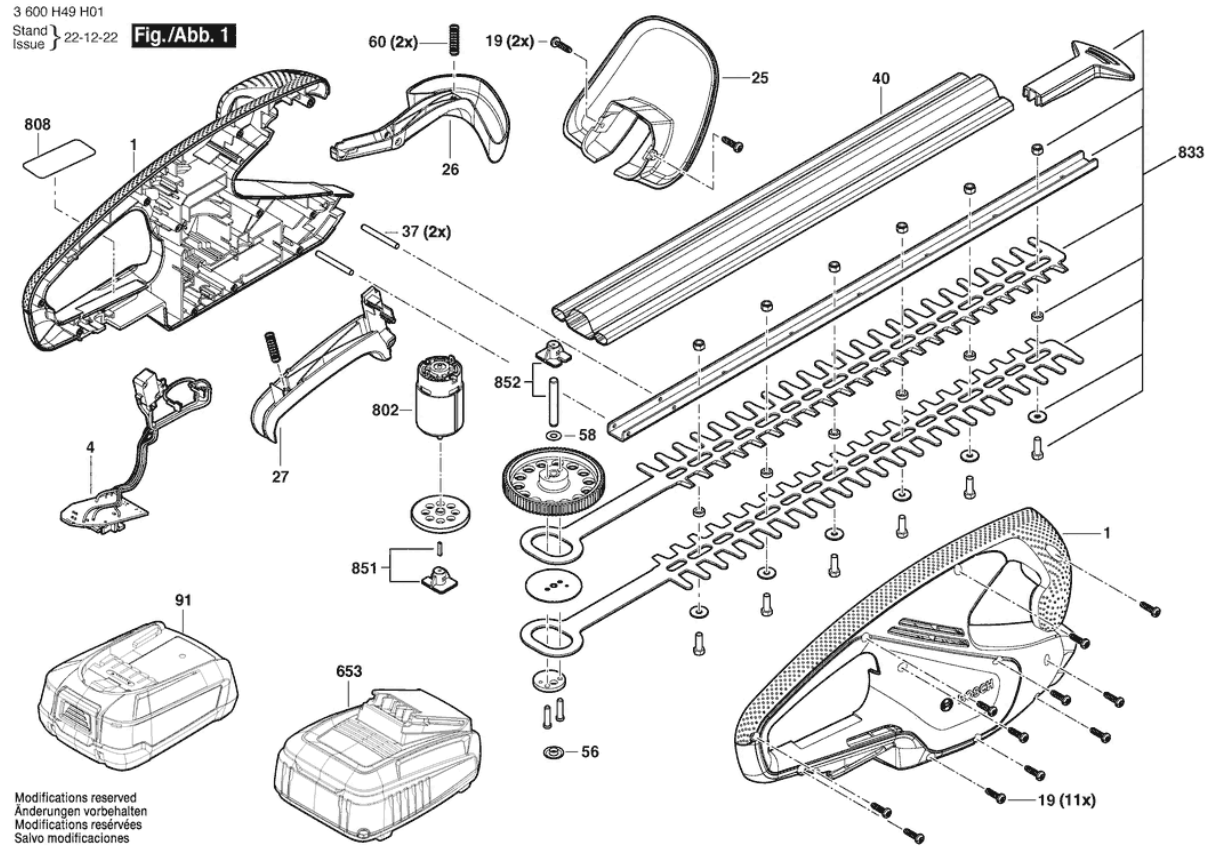


Illustration - Type - E



Spare parts list

Item	Part Number	Description	Illustration
1	1 605 806 67U	Housing	1
4	1 600 A01 BW9	Electronic Module	1
19	2 603 490 022	Screw 4X16	1
25	2 609 006 151	Protective Shield	1
26	2 609 006 152	Switch Segment	1
27	2 609 006 153	Switch Segment	1
37	2 609 002 714	Straight Pin	1
40	2 609 005 512	Knife Guard	1
56	2 609 006 721	Spacer Tube	1
58	2 600 100 040	Shim	1
60	2 604 610 028	Compression Spring	1
91	1 607 A35 ORP	Battery Pack	1
91	1 607 A35 1C3	Battery Pack	1
91	2 607 337 211	Battery Pack	1
653	2 607 225 965	Fast Charger	1
653	2 607 225 967	Charger GB AL 1830 CV 230/14,4-18V 1H	1
653	2 607 225 969	Charger	1
653	2 607 226 081	Charger AUS AL 1815 CV 240/14,4-18V 3H	1
653	2 607 226 385	Fast Charger	1
653	2 607 226 387	Fast Charger	1
653	2 607 226 389	Fast Charger	1
653	2 607 226 517	Charger	1
802	2 609 006 402	DC motor	1
808	1 601 11A 9RW	Nameplate	1
833	1 600 A02 TH0	Set of knives 68,4 CM	1
851	2 609 006 400	Support Pin	1
852	2 609 006 401	Axle	1